



SAFETY AT THE HIGHEST LEVEL

Deadweight Anchor System



- CAN BE USED AS A FALL RESTRAINT OR FALL ARREST FREESTANDING ANCHOR SYSTEM
- HIGH CORROSION RESISTANCE, STRENGTH & DURABILITY
- OSHA COMPLIANT
- AVAILABLE WORLDWIDE



CSI 05520
April 2009



Weightanka

Weightanka

A KEE SAFETY PRODUCT

non-penetrating mobile
deadweight anchor system



Non-Penetrating Anchor

WEIGHTANKA is a mobile, non-penetrating deadweight anchor system for use on roofs up to 5 degree pitch. The quick-to-assemble system features a central pedestal attachment point which raises the height where the arrest force is applied.

With the correctly specified model the system can be used on any of the following roof surfaces in DRY conditions:

Single Ply Membrane	Asphalt
Mineral Felt	Concrete
Stone Chippings (Brushed)	

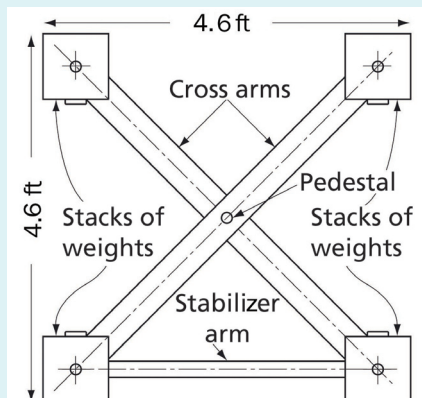
System Configurations

The **WEIGHTANKA** standard model uses 4 rubber molded weights and 6 hot dip galvanized weights. The overall weight of the standard system is 550lbs.

If the roof surface is a single ply membrane with a smooth flat surface, the system will have 4 rubber molded weights and 8 hot dip galvanized weights. The overall weight of the system is 660lbs.

Positioning Guidelines

- No part of the system is to be placed closer than 10ft from the edge of the roof or roof opening.
- The **WEIGHTANKA** system may only be used when the supporting base is free from snow and ice. Do not use if there is a risk of frost or freezing conditions.
- DO NOT position the system where there is a risk of accumulation of water or contamination on the roof surface by oil, grease or growth of algae.
- A clearance height of at least 1ft must remain above the highest component of the system.
- Ensure all skylights in the work area are covered to prevent possible falls.



Benefits of the Weightanka System

- When engaged the system does not penetrate roof surface
- No welding, bending or threading on site
- Over 100 suction cups molded to each rubber bonded weight to maximize grip
- Modular versatile construction
- Weight is displaced to allow for the best protection in the event of a fall.

Features of the Weightanka System

- Galvanized to BS EN ISO 1461
- Rubber molded base weights prevent rubber pads 'peeling' at the edges
- Protective cover available
- Installed with simple hand tools
- Anchor system can be retrofitted into Wireanka Horizontal Line System

For more information on the Kee Anchor product family visit <http://keesafety.com/us/products/KeeAnchor>



USA
Kee Safety, Inc.
100 Stradtman Street
Buffalo, NY 14206
Tel: (716) 896 4949
Fax: (716) 896 5696
Toll Free: (800) 851 5181
www.keesafety.com
Email: info@keesafety.com

Canada
Kee Safety, Ltd.
219 Connie Crescent, Unit 9
Concord, Ontario L4K 1L4
Tel: (905) 669 1494
Fax: (905) 669 4347
Toll Free: (877) 505 5003